

PART NUMBER	LEAD FREE VERSION
7361E0225S16	7361E0225S16LF

GENERAL :
 High cycle life duration smart card connector with landing type contacts mechanism. The landing type connector also provides the feature of recessed contacts when card is not inserted which protects them against vandalism.
 Smart card for reference purposes only.

ELECTRICAL PROPERTIES:
 Insulation resistance : > 1000MΩ
 Dielectric withstanding voltage : > 750 Vrms
 Current carrying capacity : Min 10µA, Max 1A
 Contact resistance : < 100mΩ

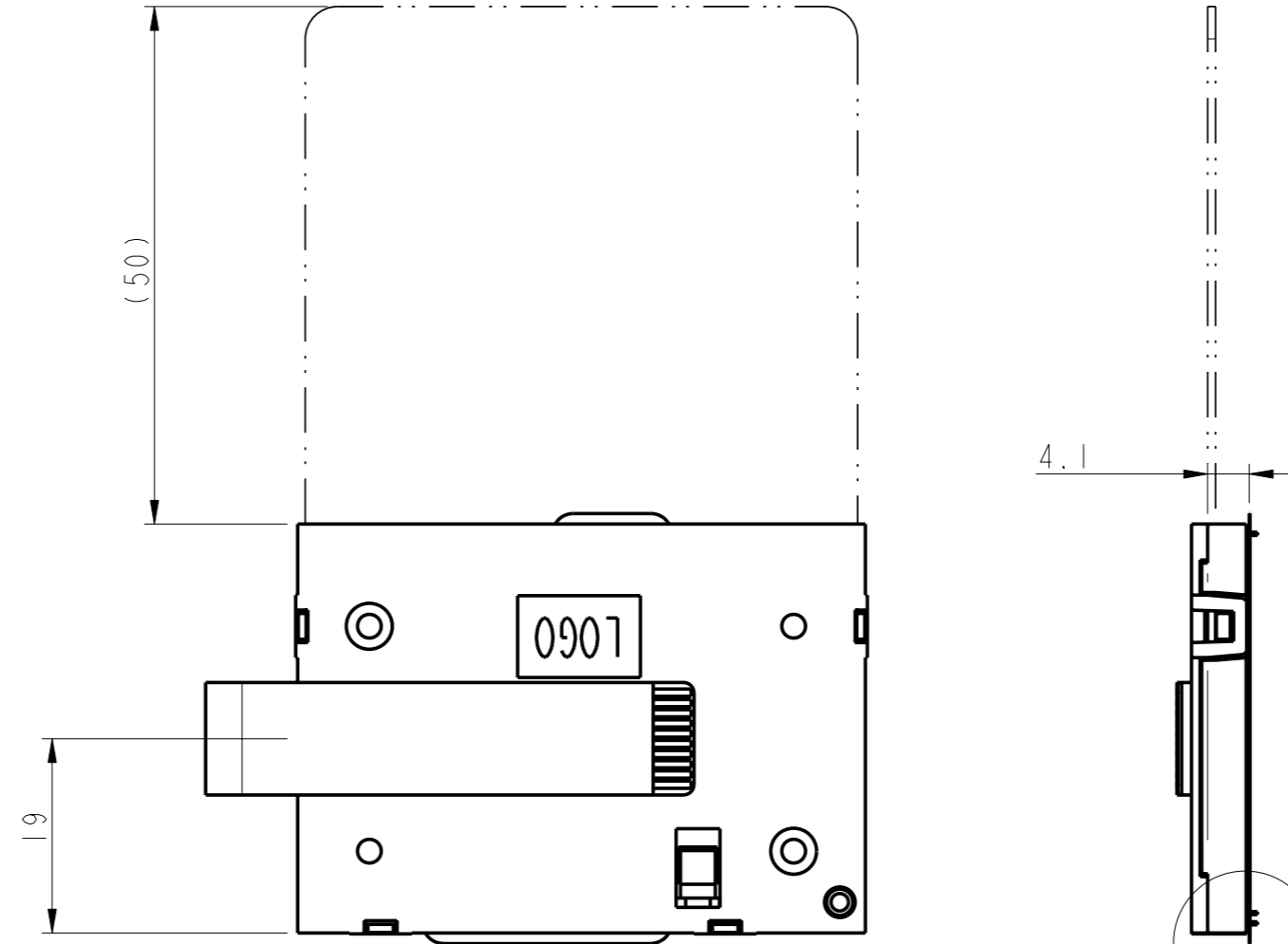
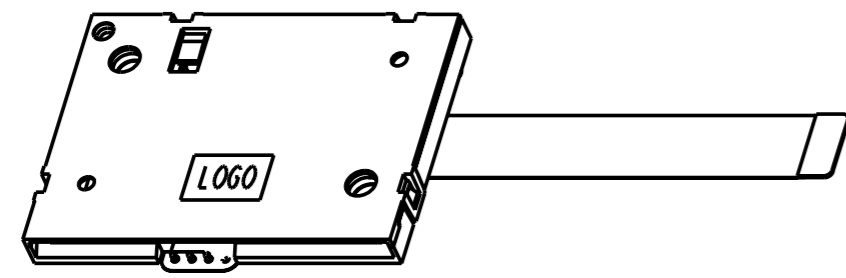
MECHANICAL PROPERTIES :
 Operating force : Insertion : F < 10N
 Withdrawal : 1 < F < 10N
 Contact Normal force : 0.2 < F < 0.3 for 0.6mm of deflection
 Durability : 200 000 mating cycles

MATERIAL :
 Head reader : High temp. Thermoplastic, Colour Black, Rated UL94V0
 Cover : High temp. Thermoplastic, Colour Grey, Rated UL94V0
 Contacts : Copper alloy,
 Plating : 2.5µm Nickel min. all over
 2µm Gold min. on contact area
 3µm SnPb(60/40) min. on solder tails(for leaded version)
 3µm matte tin min. on solder tails(for lead free version)

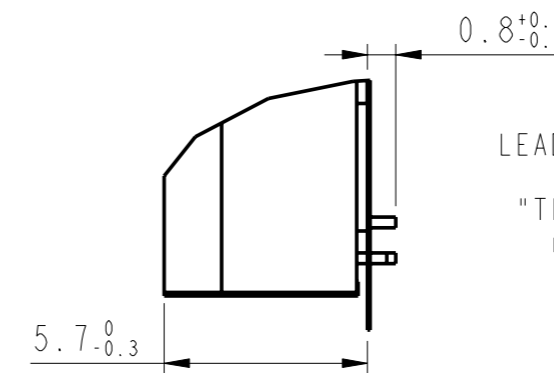
ENVIRONMENT :
 Operating temperature : -40°C / +90°C
 Climatic conditions : UTE 93-42I

PACKAGING :
 Plastic cavity tray

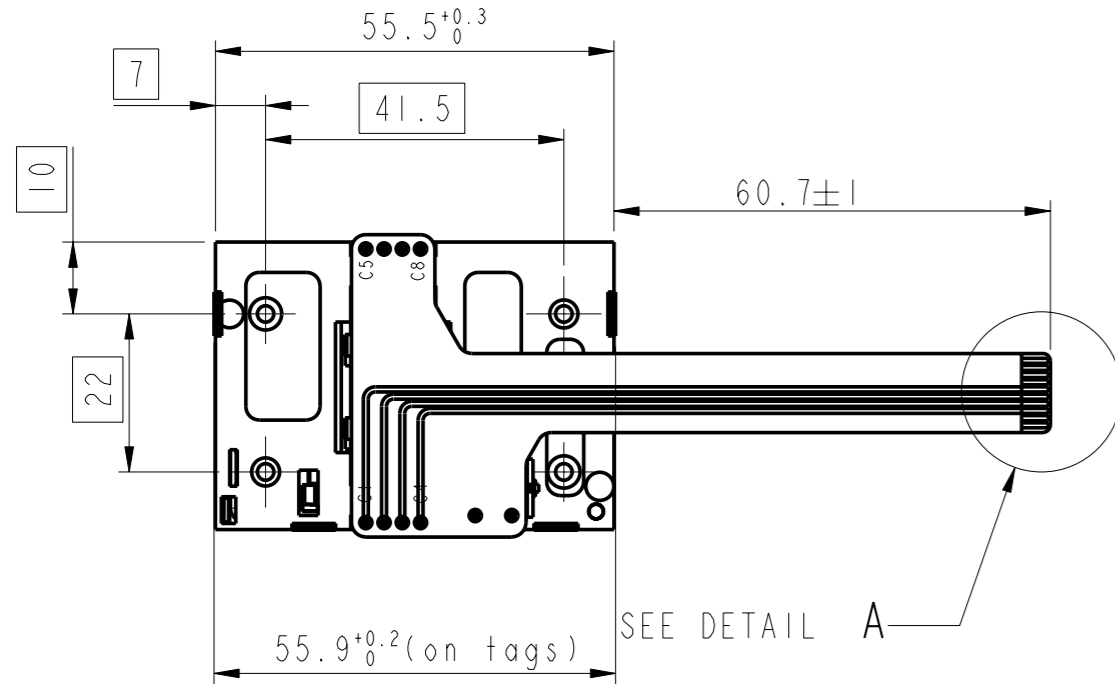
LEAD FREE VERSION:
 "This product meets European Union Directives and other country regulations as described in GS-22-008"



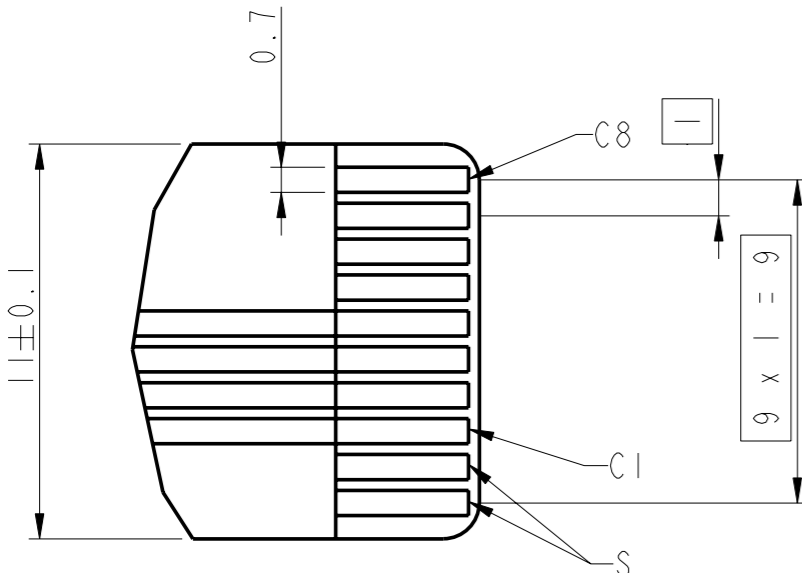
SEE DETAIL B



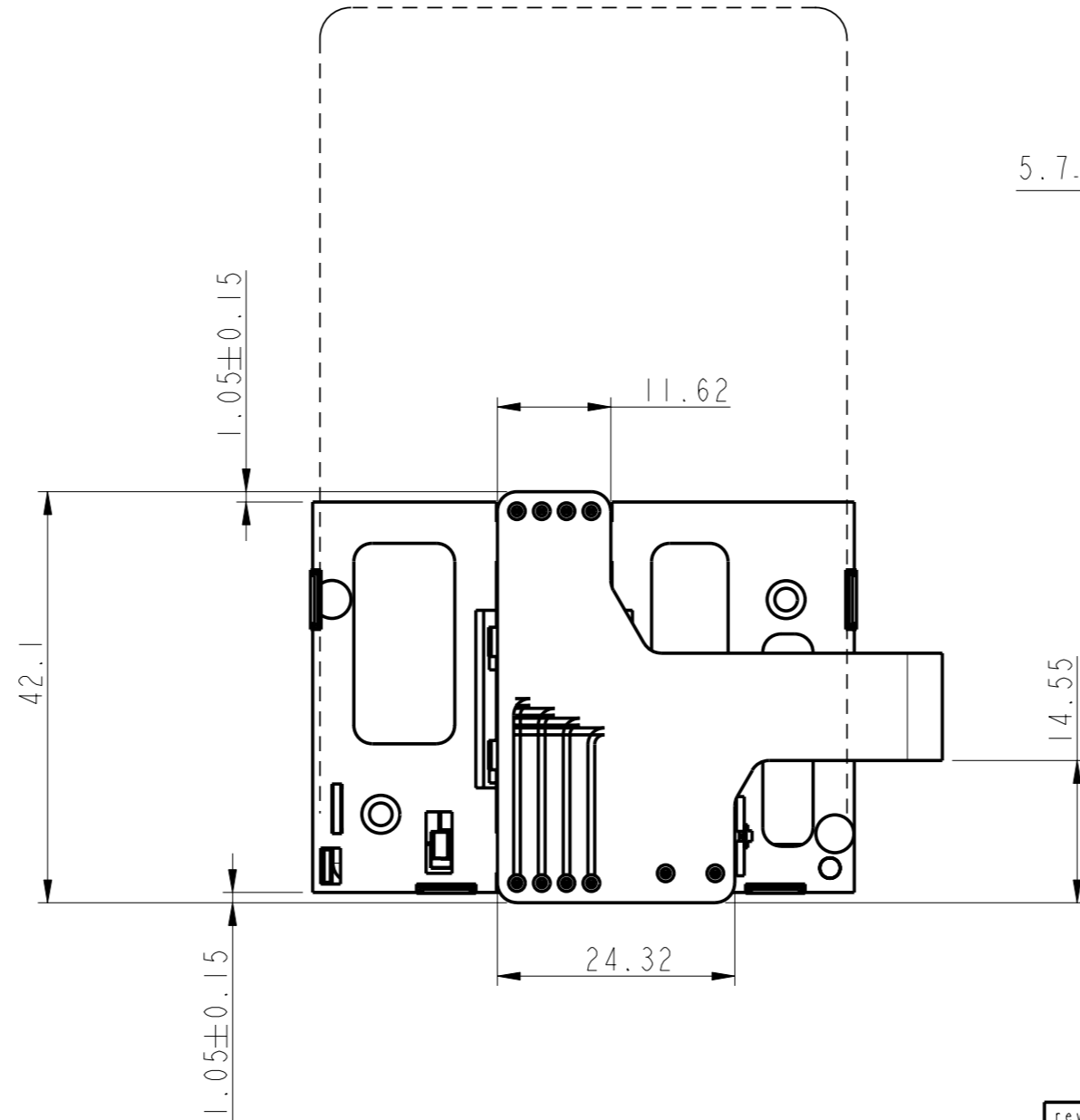
DETAIL B
 SCALE 5:1



SEE DETAIL A



DETAIL A
 SCALE 5:1



General Tolerances

0 to 10mm:	±0.1mm
10 to 30mm:	±0.15mm
30 to 60mm:	±0.2mm
60 and more:	±0.3mm

rev	ecn no	dr	date
I	Creation	JTA	02/12/10
A	LS3031	JTA	03/03/26
B	LS3077	MPE	03/09/17
C	LS3088	MPE	03/10/16
D	104-0051	DTK	04/07/17
E	105-0181	NT	05/10/04
F	106-0078	DTK	06/06/19

www.fciconnect.com		surface	tolerance std	projection	mm
		ISO 1302	ISO 406 ISO 1101	⊕	
TOLERANCES UNLESS OTHERWISE SPECIFIED					A2
Dr	TARON	02/12/10	ANGULAR	0.x	
Eng	TARON	02/12/10	LINEAR	0.xx	
Chr	DILIP THOMAS	06/06/19	0° ±°	0.xxx	
Appr	K.V.SIVADAS	06/06/19	Product family MOBILE I/O		ECN 106-0078
Spec ref					Rev. F
FCI		E02-SIDE-FLEX		10020343	
		SMART CARD READER VXX 27790		sheet 1 of 1	
catalog no See Table					CUSTOMER